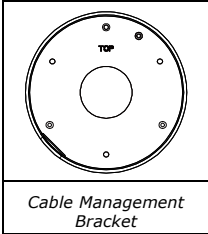
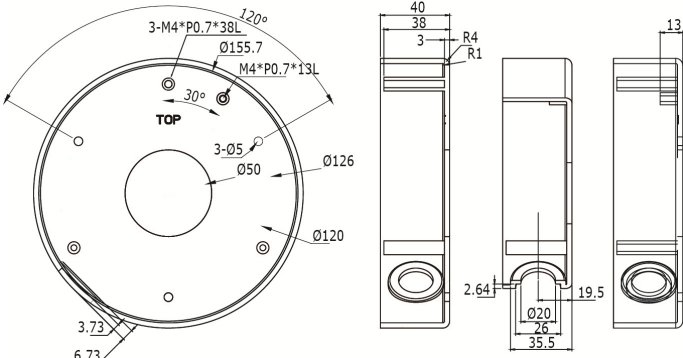
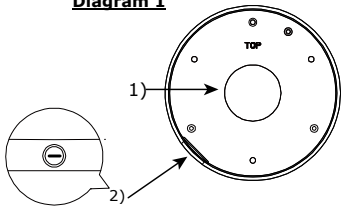
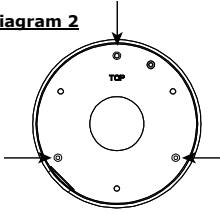


■ Overview	■ Dimension (mm)
<p>Used as a camera bracket to mount the camera on the ceiling and collect the cables.</p>  <p><i>Cable Management Bracket</i></p>	 <p>Dimensional tolerance: ± 5mm</p>

■ Installation
<p>Step 1: Based on your installation environment, you can refer to Diagram 1 below and collect the cables to:</p> <ol style="list-style-type: none"> 1) Hide over the ceiling Drill a hole on the ceiling, pass the cables from the hole you just drilled through the center hole of the bracket, fasten the bracket to the ceiling with screws supplied in the sales package, make connections of the cables, and collect the cables into the space of the bracket. 2) Walk along the ceiling Fasten the bracket to the ceiling with screws supplied in the sales package, pass the cables along the ceiling through the hole on the bracket side, make connections of the cables along the ceiling and the cables from the dome body and collect the cables into the space of the bracket. <p>Step 2: Align the screw holes on the dome body with the screw holes on the bracket (shown as the Diagram 2 below) and fix the camera with the screws supplied in the sales package.</p> <p>Step 3: Assemble the dome cover to the dome body.</p> <div style="display: flex; justify-content: space-around; align-items: flex-start;"> <div data-bbox="120 1257 461 1474"> <p>Diagram 1</p>  </div> <div data-bbox="632 1257 868 1474"> <p>Diagram 2</p>  </div> </div>